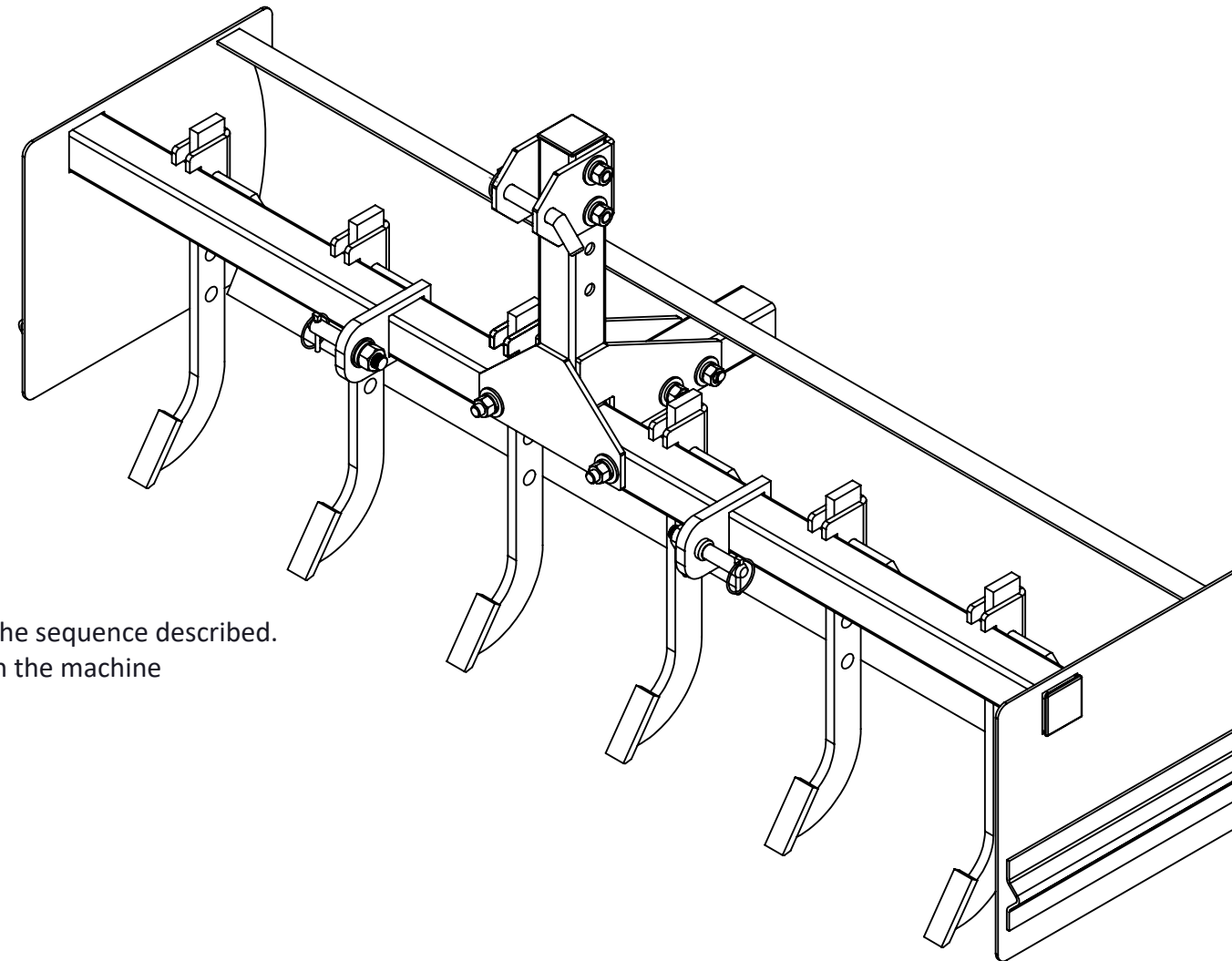




***motoalliance***

23001 Industrial Blvd, Rogers, MN 55374 / 1-866-527-7637  
www.motoalliance.com - 411@motoalliance.com



**BEFORE YOU BEGIN:**

- Please read and understand all instructions.
- Verify all parts and tools are accounted for.
- To ensure a satisfactory installation, follow all steps correctly and in the sequence described.
- All directions referring to right and left are when the rider is sitting on the machine

**INSTALLATION NOTES: TOOLS REQUIRED:**

- Basic Hand Wrench and Socket Set
- Plastic Cutting Tool - for opening packaging.

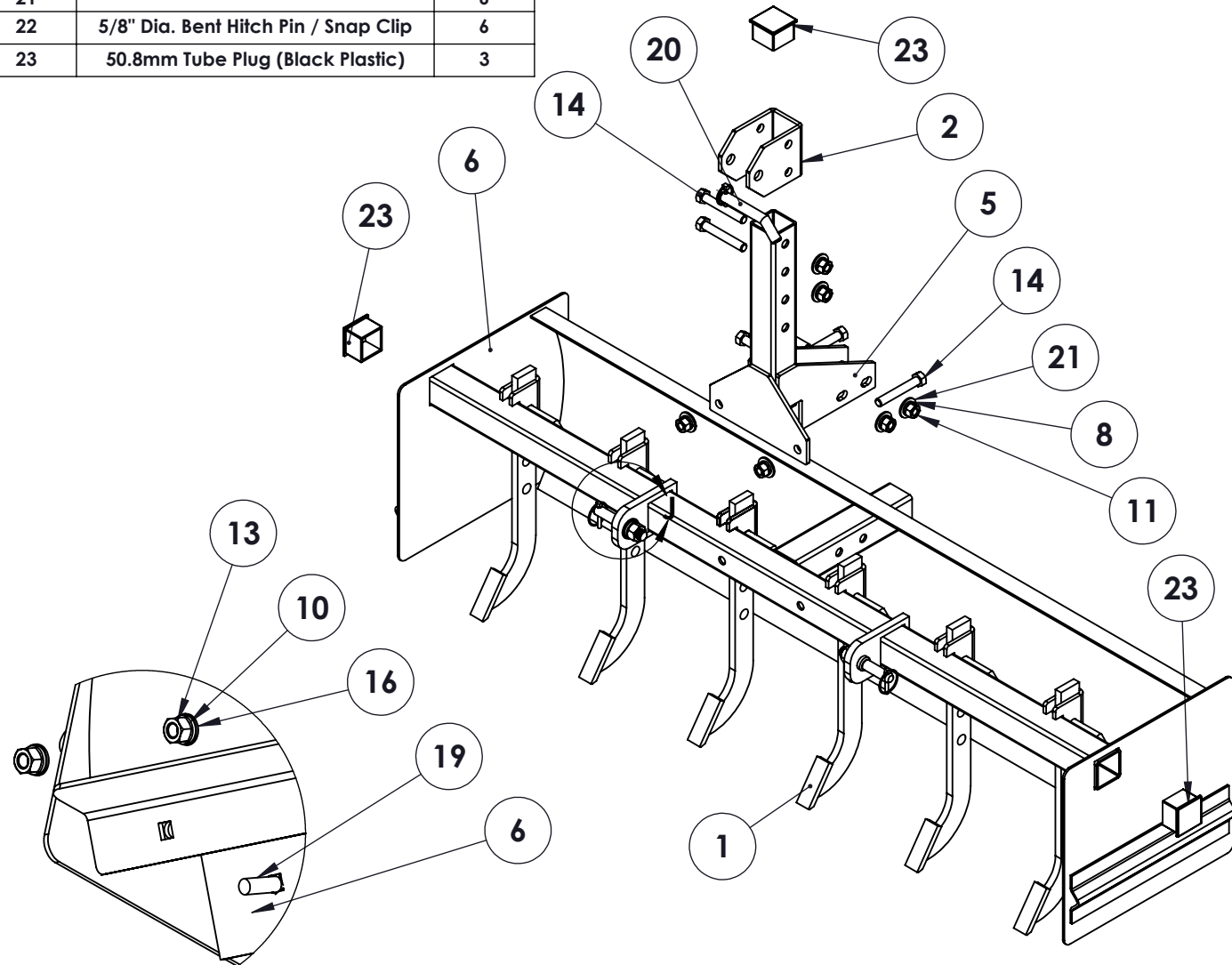
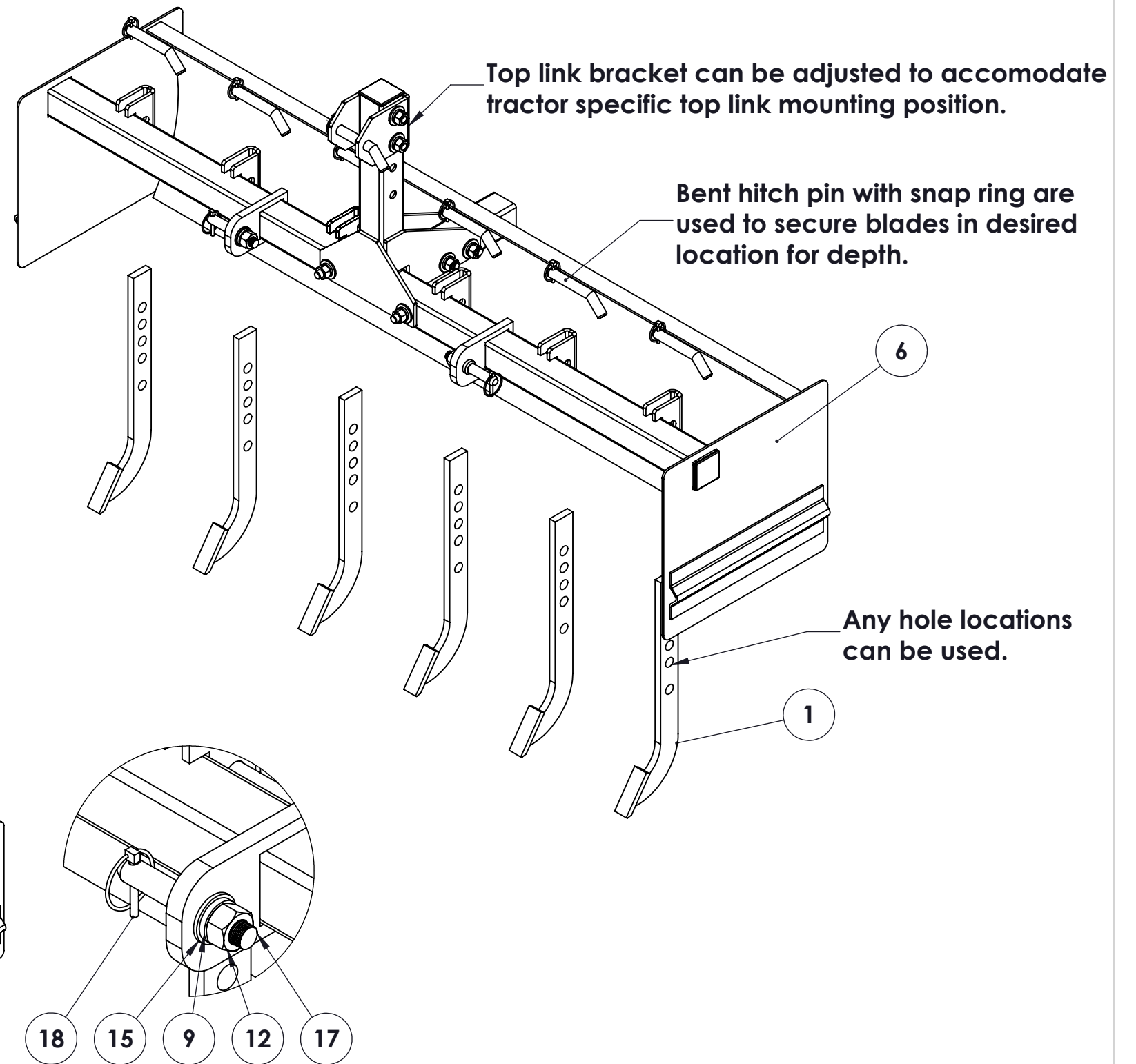
**UPC 810541023129**

**ITEM# IP-6001**

**DESCRIPTION: Impact® 3-Point, Box Scraper**

| bb | DESCRIPTION                             | QTY. |
|----|---|------|
| 1  | Scarifier (Ship Loose)                  | 6    |
| 2  | Top Link Bracket (Ships Loose)          | 1    |
| 3  | Cutting Edge (Ship Loose)               | 1    |
| 4  | Scarifier Bracket                       | 12   |
| 5  | 3-point Vert Tube Assembly (Ship Loose) | 1    |
| 6  | Main Box Scraper Assembly               | 1    |
| 7  | Back Blade Bar (Welded to NLSBS101)     | 1    |
| 8  | Regular LW 0.5                          | 6    |
| 9  | Regular LW 0.625                        | 2    |
| 10 | Regular LW 0.375                        | 11   |
| 11 | HNUT 0.5000-13-D-N                      | 6    |
| 12 | HNUT 0.6250-18-D-N                      | 2    |
| 13 | HNUT 0.3750-16-D-N                      | 11   |
| 14 | HBOLT 0.5000-13x3.25x1.25-N             | 6    |
| 15 | Narrow FW 0.625                         | 2    |
| 16 | Narrow FW 0.375                         | 11   |
| 17 | Cat 0 Draw Pin                          | 2    |
| 18 | Linch Pin 5/32" Dia.                    | 2    |
| 19 | Carriage Bolt                           | 11   |
| 20 | 5/8" Bent Hitch Pin / Snap Clip         | 1    |
| 21 |   | 6    |
| 22 | 5/8" Dia. Bent Hitch Pin / Snap Clip    | 6    |
| 23 | 50.8mm Tube Plug (Black Plastic)        | 3    |

Box Blade Scarifier's are not required to be installed for all operations. For general dirt moving they can be removed.



Cutting Assembly Detail